



**DUCG**

Downstream Users of Chemicals Co-ordination group



**BDI**

Bundesverband der  
Deutschen Industrie e.V.



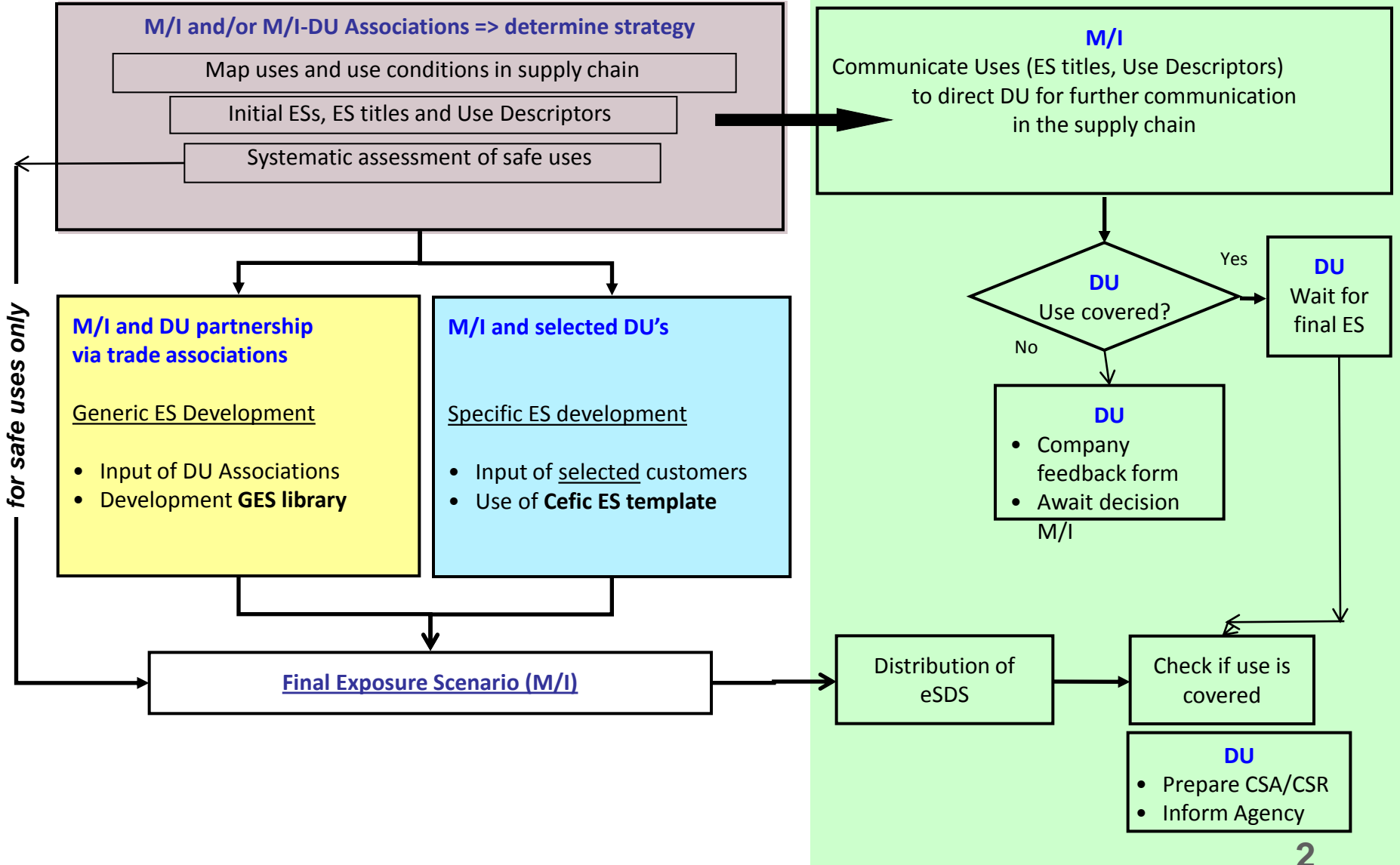
# The ESCom Package

**J. Tolls (DUCG/Henkel)**

18/06/2012

**REACH Implementation Workshop XI**

# ES Development & Communication model



for safe uses only

# Available tools on Cefic web



Downstream Users of Chemicals Co-ordination group



- **Newsletter: guidance on Use and ES development and Supply Chain Communication**
- **VCI Practical Guide on Exposure Assessment and Communication in the Supply Chains**
- **Libraries use mappings**

## Preparation phase

- **Use communication holding letter\***
- **UseR template**

• **Guidance on GES process + templates**

• **Guidance on SES process + templates**

SpERCs

ESCom phrases

## Use and ES communication

- **IT tool requirements**

**ES for preparations, DPD+  
ESCom XML**

3

\* **Currently under review**

for safe uses only

# EsCom: Exposure Scenario Communication Package

- **Goal: Harmonised IT standard for ES communication between companies IT systems in the supply chain.**
- **Available for free**
- **> 1000 Downloads in the first months after release**
- **The EsCom package consists of:**
- **ESCom XML 1.1 – The Container for ES Info**
  - XML Schema-definition
  - ESCom XML guidance document
  - Technical documentation
  - Example of an XML-File
- **ESCom Standard-Phrases - The Content for ES Info**
  - Master-File with standard-phrases (incl. phrase-codes)
  - Guidance document for phrase development



Downstream Users of Chemicals Co-ordination group



**BDI**

Bundesverband der  
Deutschen Industrie e.V.



# ESCom Standard – Status

## ESCom XML - development of v2

- Alignment with CHESAR data structure
- Improve robustness of data structure – warrant unequivocal transfer of information

## ESCom Phrases

- Assigning etadata to phrases
- Elimination of duplicates in catalogue



Downstream Users of Chemicals Co-ordination group



**BDI**

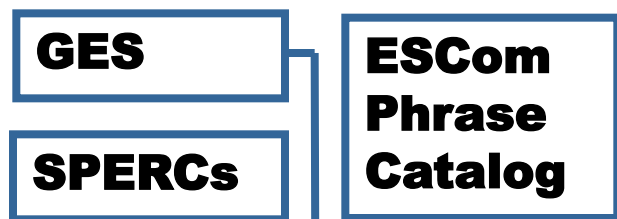
Bundesverband der  
Deutschen Industrie e.V.



# **ESCom Standard - Where are the providers of SDS-Software?**

- A significant number of companies is involved in ESCom-project:
- 3E, CGI, Enablon, IHS, Lisam, Kisters, PES, Prosisoft, Qualisys, qcs, Safeware, SAP, Selerant, The WERCS, UMCO, DRSoftware, Telematic, teknologisk, Chemdox
- Some providers have started to look into embedding ESCom XML-Information into internal processing.

# ESCom & CHESAR – The Overview



chesar

**CHESAR  
XML**

## Objectives of Cooperation:

- Standardized ES information
- Standardized ES communication

**Registration**

**Transformation**

**Supply Chain Communication**

**ESCom  
XML**

**Registrant  
Data  
System**

**ESCom  
XML**

**DU  
Data  
System**

# Timings

- **CHESAR 2.1 (supports use of standard phrases)  
scheduled release: October 2012**
- **ESCom package – scheduled release October 2012**
- **CHESAR XML: October 2012**
- **Transformation tool: no timing decided yet.**
- **ESCom is aligned with BDI EuPraC phrase system  
for SDS by using the same phrase code system.**
- **Will take some time to implement in the supply chain  
and to have all IT systems upgraded.**



# Outlook

- **ESCom is aligned with BDI EuPraC phrase system for SDS by using the same phrase code system.**
- **Will take some time to implement in the supply chain and to have all IT systems upgraded.**
- **Until end 2014: 1st phase of ESCom project.**
  - **Continuous update of ESCom phrases.**
  - **ESCOM XML v2 stable until 12/2014.**



Downstream Users of Chemicals Co-ordination group



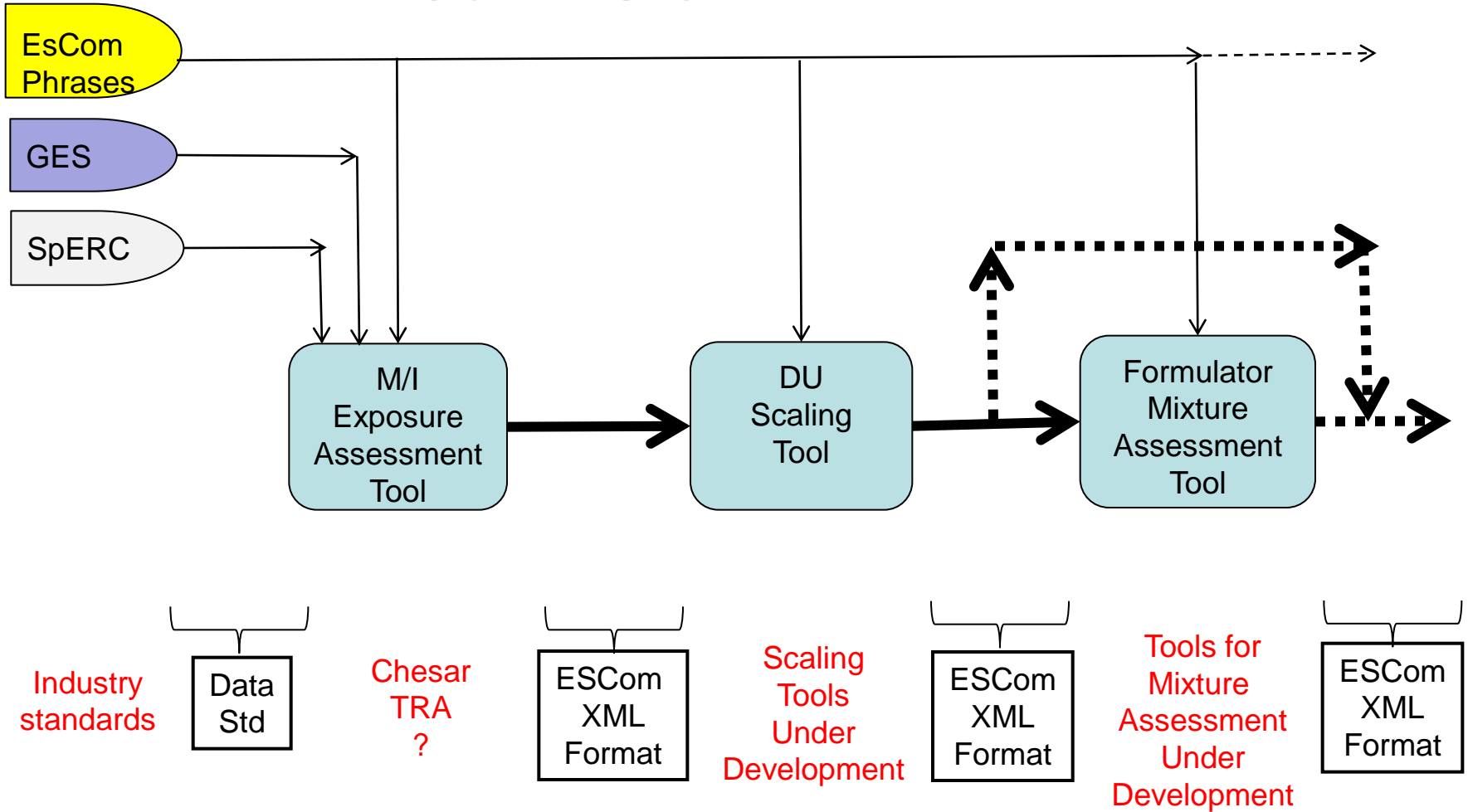
**BDI**  
Bundesverband der  
Deutschen Industrie e.V.



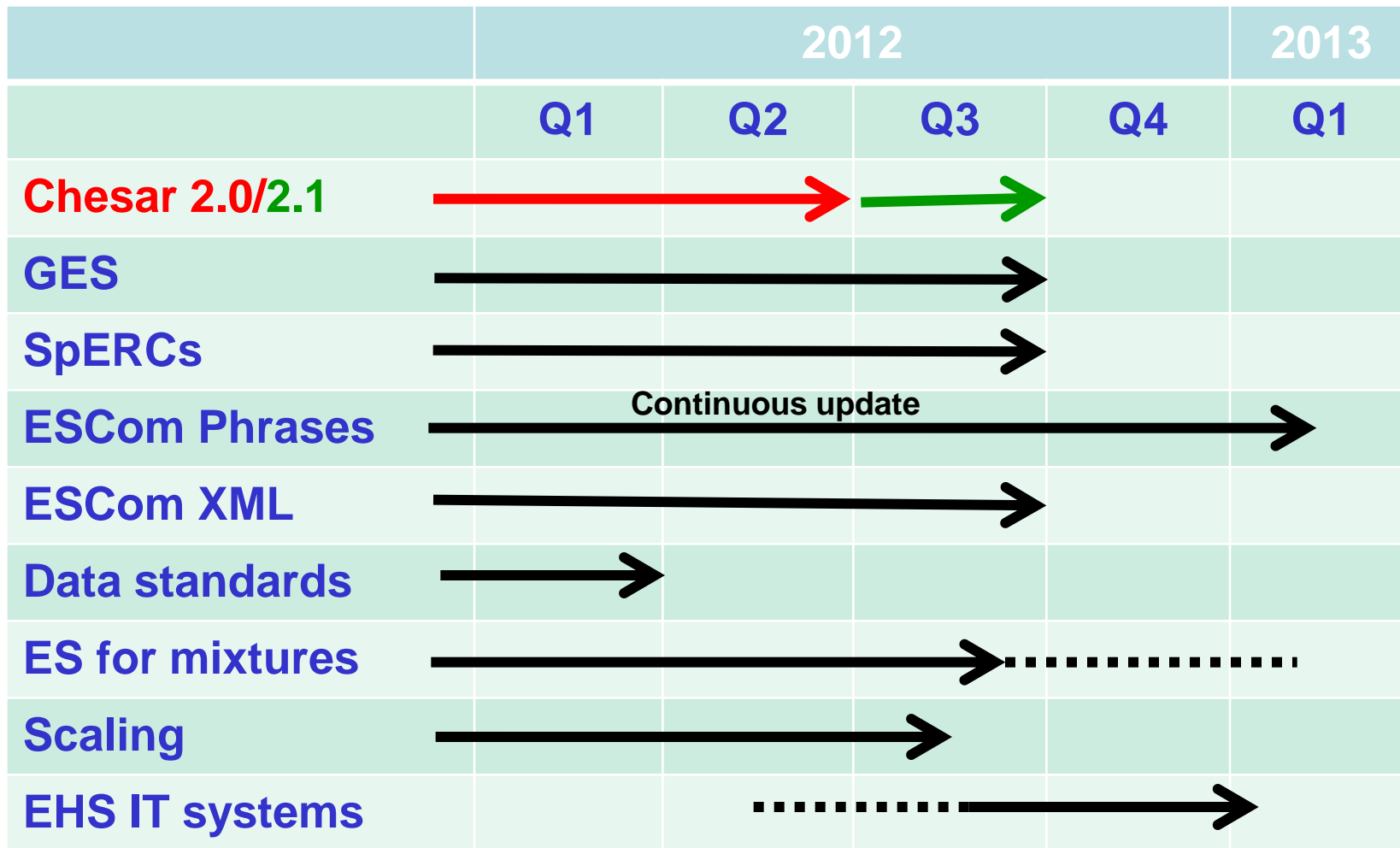
# ESCom Standard - What can you do now?

- Phrases:
- Check whether the phase catalog is sufficient for you
- Submit additional phrase to CEFIC ESCom / EuPhraC phrase team for review at:  
<http://content.euphrac.eu/Default.aspx?Language=en>
- XML:
- Develop understanding of company-internal processes, which use information from ESCom.
- Share your understanding with your SDS-software provider.

# Our vision



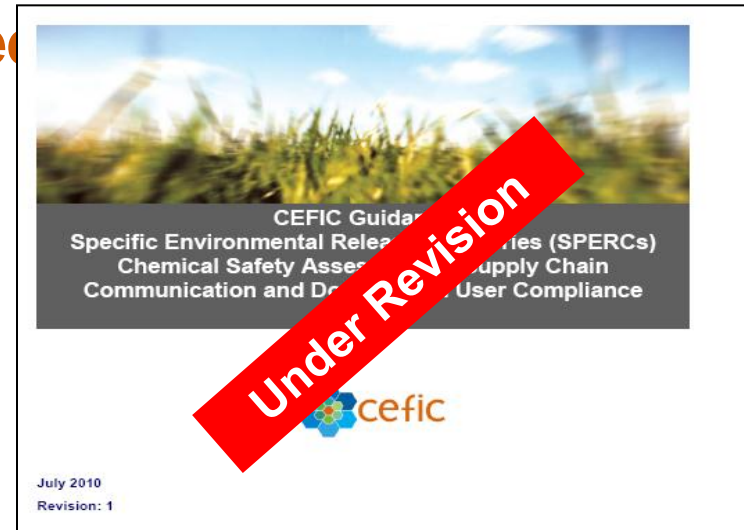
# Timelines



•The given timelines are indicative and depend on voluntary contributions of company experts

## SPERCs in short

- standardized **refinements** of the ERC-based emission estimation.
  - Needed to come to more realistic assessments.
- define **realistic default values** (based on good practice information supplied by sector groups, trade associations).
- are **documented in SPERC fact sheet library**.
- **More than 170 SPERCs** are available for the time being
- SPERCs have been **extensively used** for generating the dossiers of the 2010 REACH registrations
- All published on the Cefic web site



# Using SPERCs for 2013 registrations

<b>To Do</b>	<b>Recommendation</b>
<b>Perform environmental assessment</b>	<b>Start now, use release factors. If necessary, refine assessments beyond SPERCs</b>
<b>Document environmental assessment in CSR</b>	<b>Wait for more detailed information to become available with revised SPERC factsheets.</b>

# Summary and conclusions

- There are major contributions from industry to set up the ES development and communication process
- We are not there yet
  - Harmonisation and standardisation is key
  - Exposure Scenario information for mixtures
  - Scaling tools
  - Further development of ESCom and harmonisation with assessment tools like Chesar
  - Define standards for industry tools to apply them in IT systems



Downstream Users of Chemicals Co-ordination group



**BDI**

Bundesverband der  
Deutschen Industrie e.V.



## **Links to the DUGC member associations' websites posting use and exposure information:**

<b>Cosmetics</b>	<a href="http://www.colipa.eu/safety-a-science-colipa-the-european-cosmetic-cosmetics-association/reach-and-chemicals-/use-and-exposure-information-.html">http://www.colipa.eu/safety-a-science-colipa-the-european-cosmetic-cosmetics-association/reach-and-chemicals-/use-and-exposure-information-.html</a>
<b>Detergents and cleaning products</b>	<a href="http://www.aise.eu/reach/?page=exposureass_sub2">http://www.aise.eu/reach/?page=exposureass_sub2</a>
<b>Paint, printing ink and artists' colours</b>	<a href="http://www.cepe.org/EPUB/easnet.dll/ExecReq/Page?eas:template_im=100087&amp;eas:dat_im=101AED">http://www.cepe.org/EPUB/easnet.dll/ExecReq/Page?eas:template_im=100087&amp;eas:dat_im=101AED</a>
<b>Construction chemicals</b>	<a href="http://info.vci.de/user_cc/default.aspx">http://info.vci.de/user_cc/default.aspx</a>
<b>Photographic materials and imaging</b>	<a href="http://www.ip-europe.com/reach-use-descriptors-in-the-imaging-and-printing-industry-for-download">http://www.ip-europe.com/reach-use-descriptors-in-the-imaging-and-printing-industry-for-download</a>
<b>Chemical distributors</b>	<a href="http://www.fecc.org/fecc/activities/safety-health-a-environment-she/171-mapping-of-uses-of-the-chemical-distribution-sector">http://www.fecc.org/fecc/activities/safety-health-a-environment-she/171-mapping-of-uses-of-the-chemical-distribution-sector</a>
<b>Adhesives and sealants</b>	<a href="http://www.feica.eu/library/industry-guidelines/reach">http://www.feica.eu/library/industry-guidelines/reach</a>



## Additional, useful links

- **CSA/CSR/ES tools:**
- <http://www.cefic.org/Industry-support/Implementing-reach/Guidances-and-Tools1/>
- **Use libraries:**
- <http://www.cefic.org/Industry-support/Implementing-reach/Libraries/>  
(includes all links from the previous slide and more)
- **ESCom package:**
- <http://www.cefic.org/Industry-support/Implementing-reach/IT-Tools/>
- **DUCC UseR Format for Use Reporting**
- [http://www.duccplatform.org/activities/use\\_and\\_exposure\\_info.htm](http://www.duccplatform.org/activities/use_and_exposure_info.htm)

**Thank You!**

- [johannes.tolls@henkel.com](mailto:johannes.tolls@henkel.com)