



REACH Information and Experience Exchange Forum III  
24 June 2014, Brussels  
New IT Tools



Dr. Michael Hartmann – Clariant

Dr. Christine Andreis – DuPont, Dr. Francisco del Castillo – Concawe

*on behalf of Cefic REACH-IT Working Group*



# Table of Content

---

1. IUCLID
2. REACH-IT
3. IUCLID/CHESTAR/eSDS

# Current IUCLID Status (1)

---



The following IUCLID5 versions can be downloaded from the IUCLID website (<http://iuclid.eu>) and can be used to submit dossiers into REACH-IT:

- IUCLID5.4.1
- IUCLID5.5.1
- IUCLID5.6.0

**Note:** IUCLID 5.4.0 and IUCLID 5.5.0 can also be used to submit dossiers into REACH-IT but are no longer available for download or supported by ECHA's helpdesk.

**Advice:** Use the latest available version of IUCLID including the latest plug-ins, in particular the Validation Assistant

## Current IUCLID Status (2)

---



Upward compatibility is always ensured, however, it may involve significant effort in analyzing results from data migration.

Downward compatibility has some limitations:

- From 5.5 or later to 5.4
  - only for REACH (i.e. non-Biocides) data
- From 5.6 to 5.5 and before
  - only where the 4<sup>th</sup> ATP is not impacted

# IUCLID Challenges

---



Changes to the way the information has to be reported in IUCLID may involve re-doing significant parts of the dossier content.

- Changes and updates are sometimes made for improving efficiency of the whole process, ending with an improved quality of the dossier information, which is appreciated by Industry.
- The key issue is IF and WHEN the new information will become mandatory; industry needs time to update the dossiers

The efforts for industry to meet the next registration deadline are still significant. New mandatory fields will add to this as well.

**Dialog and pragmatism are needed to make all this workable!**



# Table of Content

---

1. IUCLID
2. REACH-IT
3. IUCLID/CHESTAR/eSDS

# REACH-IT 2.7 Launched

---



On April 16<sup>th</sup>, 2014 the new version 2.7 of REACH-IT was launched:

- **New ECHA Terms & Conditions have to be accepted on first access to REACH-IT**
  - [http://echa.europa.eu/documents/10162/13652/reach-it\\_terms\\_and\\_conditions\\_en.pdf](http://echa.europa.eu/documents/10162/13652/reach-it_terms_and_conditions_en.pdf)
- **New REACH-IT can now be used to submit applications for authorization\***
  - **No use of webform anymore for individual applications**
  - **Still have to use webforms for joint applications**

\*see updated Data Submission manual 22

# New Message Box Concept

---



## NEW message box concept introduced

- Action required message box
  - Invoice received, compliance checks...etc
- General message box
  - BR passed, JSO confirmed, dossier reached end of pipeline, Reference number assigned

## Why:

- After appeal case in 2013 REACH-IT was found not to take enough measures to notify decisions to recipients
- Now messages are considered to be read after **7 days**
- Now also reading history visible



# Example of New Message Box



**"Action required"** message box, unread messages: 0

Only the last 30 messages are shown. To view all internal messages click [here](#).

[Select All](#) | [Select None](#)

Select	Details	Read by current user	Company message status	Company read date	Subject	Creation Date	Recipient
<input type="checkbox"/>	<a href="#">▶ Show</a>	Yes	Read	05/12/2013 12:54	Dossier reached end of the pipeline (AM125562-46)	05/12/2013 12:50	Party(Maria's Emporium - 1)
<input type="checkbox"/>	<a href="#">▶ Show</a>	Yes	Considered read	07/12/2013 01:00	Invoice has been opened - AM125562-46	05/12/2013 11:53	Party(Maria's Emporium - 1)
<input type="checkbox"/>	<a href="#">▶ Show</a>	Yes	Read	03/11/2013 21:43	Action message	27/10/2013 00:00	Party(Maria's Emporium - 1)

**"General"** message box, unread messages: 25

Only the last 30 messages are shown. To view all internal messages click [here](#).

Previous  [Next 10](#)

[Select All](#) | [Select None](#)

Select	Details	Read	Subject	Creation Date	Recipient
<input type="checkbox"/>	<a href="#">▶ Show</a>	Yes	General message	16/12/2013 14:56	Party(Maria's Emporium - 1)
<input type="checkbox"/>	<a href="#">▶ Show</a>	Yes	Reference number assigned (AM125562-46)	05/12/2013 12:48	User(Maria1)
<input type="checkbox"/>	<a href="#">▶ Show</a>	Yes	Business Rules Check passed	05/12/2013 11:52	User(Maria1)
<input type="checkbox"/>	<a href="#">▶ Show</a>	Yes	File under examination (AM125562-46) - Registration (reg.)	05/12/2013 11:43	User(Maria1)
<input type="checkbox"/>	<a href="#">▶ Show</a>	Yes	Joint Submission membership confirmed.	04/11/2013 18:17	Party(Maria's Emporium - 1)
<input type="checkbox"/>	<a href="#">▶ Show</a>	Yes	Joint submission created	04/11/2013 18:14	Party(Maria's Emporium - 1)
<input type="checkbox"/>	<a href="#">▶ Show</a>	Yes	Dossier reached end of the pipeline (NK121868-23)	09/08/2012 18:38	User(Maria1)
<input type="checkbox"/>	<a href="#">▶ Show</a>	Yes	Reference number assigned (NK121868-23)	09/08/2012 18:38	User(Maria1)
<input type="checkbox"/>	<a href="#">▶ Show</a>	Yes	File under examination (NK121868-23) - Registration (S.I.A.)	09/08/2012 18:38	User(Maria1)
<input type="checkbox"/>	<a href="#">▶ Show</a>	Yes	Reference number assigned (PA121867-43)	09/08/2012 18:24	User(Maria1)

# Email Notifications

---



**REACH-IT contact can be given the role of “Action required Email recipient” (only then users can disable the email alert)**

**One email notification per email address per company**

**“Action” messages always trigger a daily email notification#**

**Recommendation:** have a waterproof process established in your company so that email notifications are recognized and communicated internally, independent from people being on vacation, or off sick or resigned from the company !



# Table of Content

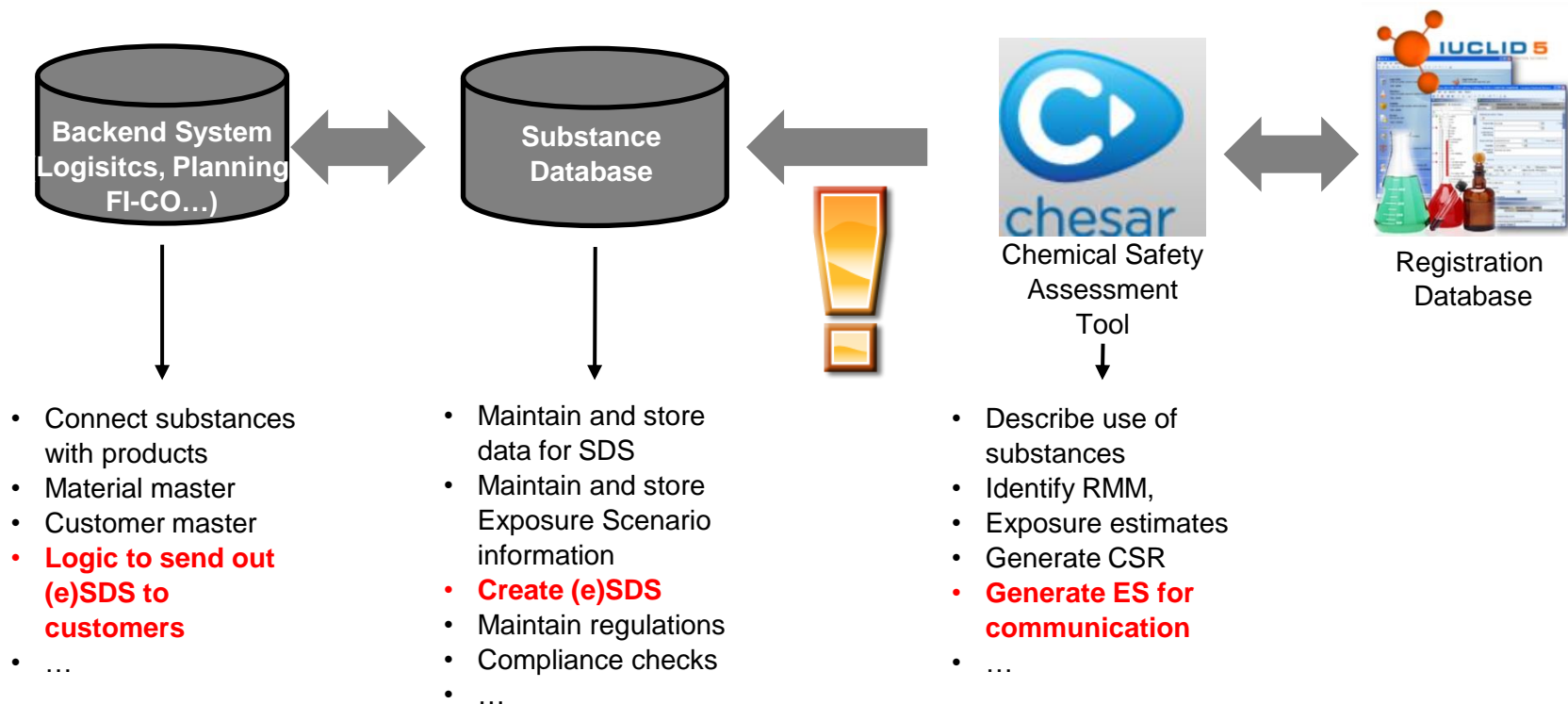
---

1. IUCLID
2. REACH-IT
3. IUCLID/CHESTAR/eSDS

# Transfer of ES from CHESAR to generate extended SDS (eSDS)



## A generic view on Industries' systems and their exchange of data :



# The ESCom Package



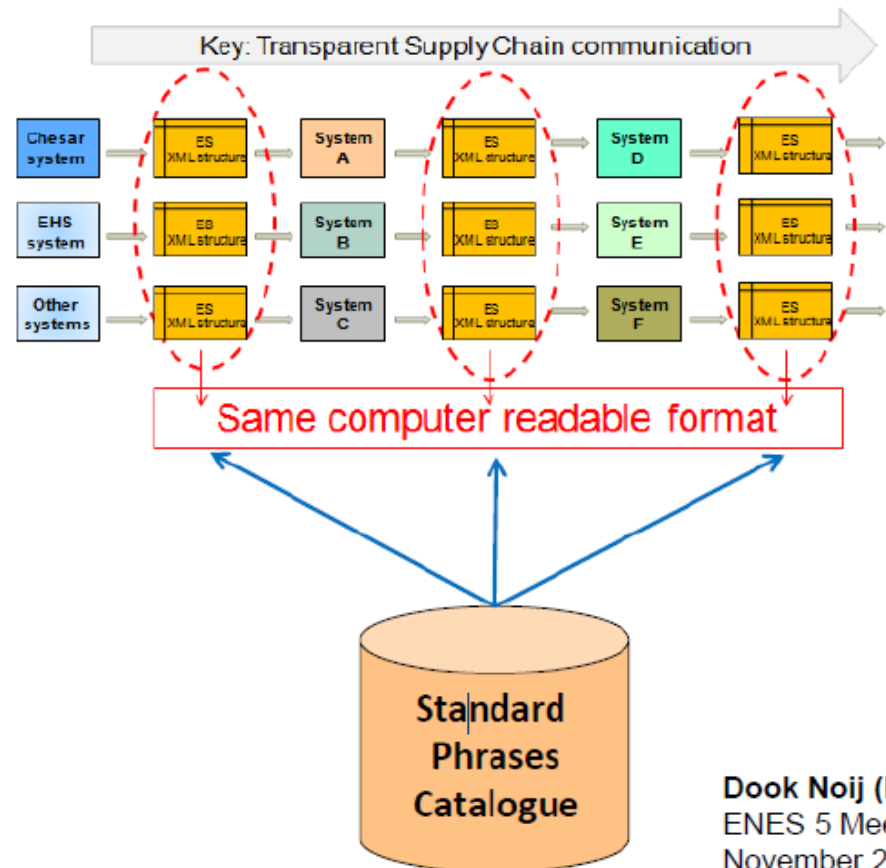
## What is the ESCom Package?

### ESCom XML standard:

- An IT communication standard to harmonize ES data exchange between computer systems in the supply chain
- Developed by IT providers in consultation with industry

### ESCom Phrase Catalogue:

- A catalogue with standard phrases for ESs for communication
- Developed by industry sectors, associations and companies



# Standardised interfaces are essential for data exchange across systems and across companies

---



**Industry, IT Providers and ECHA have reached an effective and pragmatic agreement on a standard to communicate Exposure Scenarios across the interface between CHESAR and company data bases.**



---

**Thanks for your attention**

# Back up slides

---





## Current IUCLID Status (3)

---



The Release Notes available in the installation packages describe the changes implemented for each version, e.g.

- IUCLID5.4.0 supports structured data on PBT assessment (2.3) and Exposure Scenarios (3.7), plus a new format for Uses (3.5)
- Java 7 is supported only as from IUCLID5.4.1
- Biocides functions are implemented only as from IUCLID 5.5
- IUCLID5.6 implements changes to C&L (2.1 & 2.2) to comply with the 4<sup>th</sup> ATP to CLP (enters into force 1 Dec 2014)

# Summary Message Box Concept

---

